

HEWL Line Heaters

The HEWL range of line heaters is suitable for heating all process fluids which are non-corrosive to the materials of construction. They provide a clean and efficient heating method for bulk liquid flow applications.

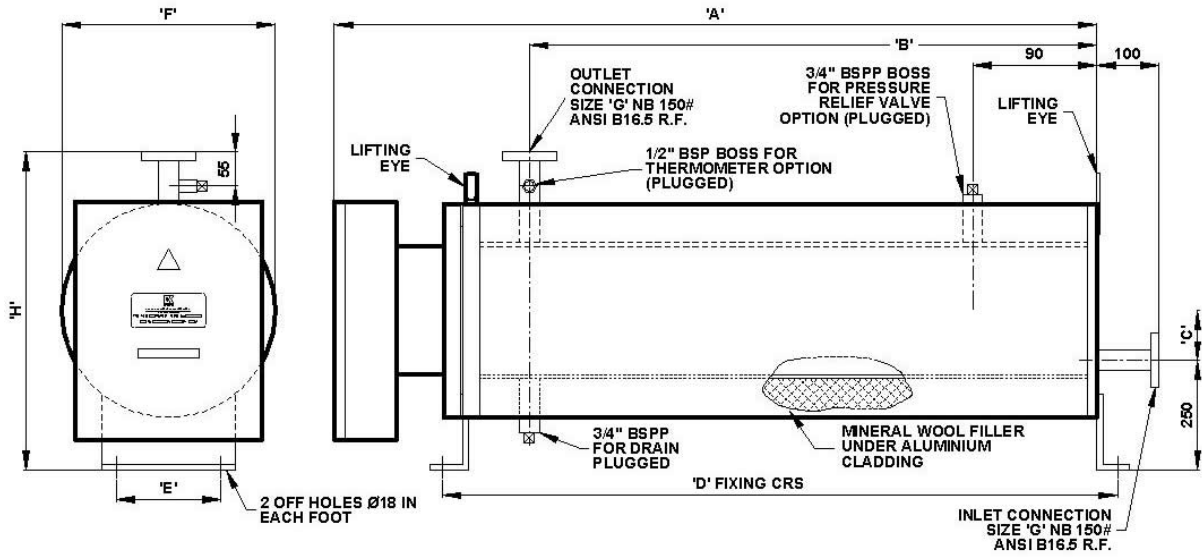


FEATURES

- Thermal insulation and cladding
- Weatherproof terminal enclosure with protection to IP66
- Internal control thermostats and over-temperature thermostat
- Also available in flameproof construction for hazardous areas utilising the FP range
- Alternative materials of construction available
- Designed for horizontal installation (vertical mounting version available on request)

TYPICAL APPLICATIONS

- Engine jacket pre-heating
- Fuel oil
- Heat transfer oils
- Indirect heating of liquids
- Industrial washing and rinsing processes
- Lube oil pre-heating
- Temperature maintenance of storage tanks
- Tempering of low grade residual oils for burners and engines
- Under floor heating schemes



| Model | Loading (kW) | Dimensions (mm) | | | | | | | | |
|----------|--------------|-----------------|------|-----|------|-----|-----|----|-----|--|
| | | A | B | C | D | E | F | G | H | |
| HEWL 15 | 15 | 1395 | 1040 | 50 | 1265 | 220 | 290 | 40 | 526 | |
| HEWL 18 | 18 | 1395 | 1040 | 50 | 1265 | 220 | 290 | 40 | 526 | |
| HELW 24 | 24 | 1705 | 1350 | 50 | 1575 | 220 | 290 | 40 | 526 | |
| HEWL 30 | 30 | 1705 | 1350 | 50 | 1575 | 220 | 290 | 40 | 526 | |
| HEWL 45 | 45 | 1795 | 1435 | 74 | 1660 | 260 | 353 | 40 | 575 | |
| HEWL 60 | 60 | 1795 | 1435 | 74 | 1660 | 260 | 353 | 40 | 575 | |
| HEWL 75 | 75 | 1795 | 1435 | 100 | 1660 | 300 | 416 | 40 | 628 | |
| HEWL 90 | 90 | 1795 | 1435 | 100 | 1660 | 300 | 416 | 40 | 628 | |
| HEWL 105 | 105 | 1795 | 1435 | 100 | 1660 | 300 | 416 | 40 | 628 | |
| HEWL 120 | 120 | 1795 | 1435 | 100 | 1660 | 300 | 416 | 40 | 628 | |

*Also available in flameproof construction and certified to ATEX/IECEX, CSA, CU TR (EAC), Inmetro, CNEX, CCOE & KGS

| | |
|-------------------------|--------------------------------------------------------------------|
| Construction | Weatherproof protection to IP66 |
| Element | Incoloy 800 or 825, 316L or 304 stainless steel, sheathed rod type |
| Working Pressure | Up to 10 barg/145 psig, subject to design parameters |
| Design Code | Sound Engineering Practice (SEP) |
| Vessel | Mild steel or 316 stainless steel |
| Insulation | Mineral wool |
| Cladding | Stucco aluminium |
| Voltage | Standard supplies up to 690V, subject to design parameters |